



Cambridge International Examinations
Cambridge International General Certificate of Secondary Education (9–1)

CANDIDATE
NAME

CENTRE
NUMBER

--	--	--	--	--

CANDIDATE
NUMBER

--	--	--	--	--

CHEMISTRY

0971/41

Paper 4 Theory (Extended)

May/June 2018

1 hour 15 minutes

Candidates answer on the Question Paper.

No Additional Materials are required.

READ THESE INSTRUCTIONS FIRST

Write your Centre number, candidate number and name on all the work you hand in.

Write in dark blue or black pen.

You may use an HB pencil for any diagrams or graphs.

Do not use staples, paper clips, glue or correction fluid.

DO **NOT** WRITE IN ANY BARCODES.

Answer **all** questions.

Electronic calculators may be used.

A copy of the Periodic Table is printed on page 12.

You may lose marks if you do not show your working or if you do not use appropriate units.

At the end of the examination, fasten all your work securely together.

The number of marks is given in brackets [] at the end of each question or part question.

This document consists of **12** printed pages.



1 Substances can be classified as elements, compounds or mixtures.

(a) What is meant by the term *compound*?

.....

.....

..... [2]

(b) Mixtures can be separated by physical processes.

A sequence of physical processes can be used to separate common salt (sodium chloride) from a mixture containing sand and common salt only.

Give the order and the correct scientific term for the physical processes used to separate the common salt from the mixture.

1

2

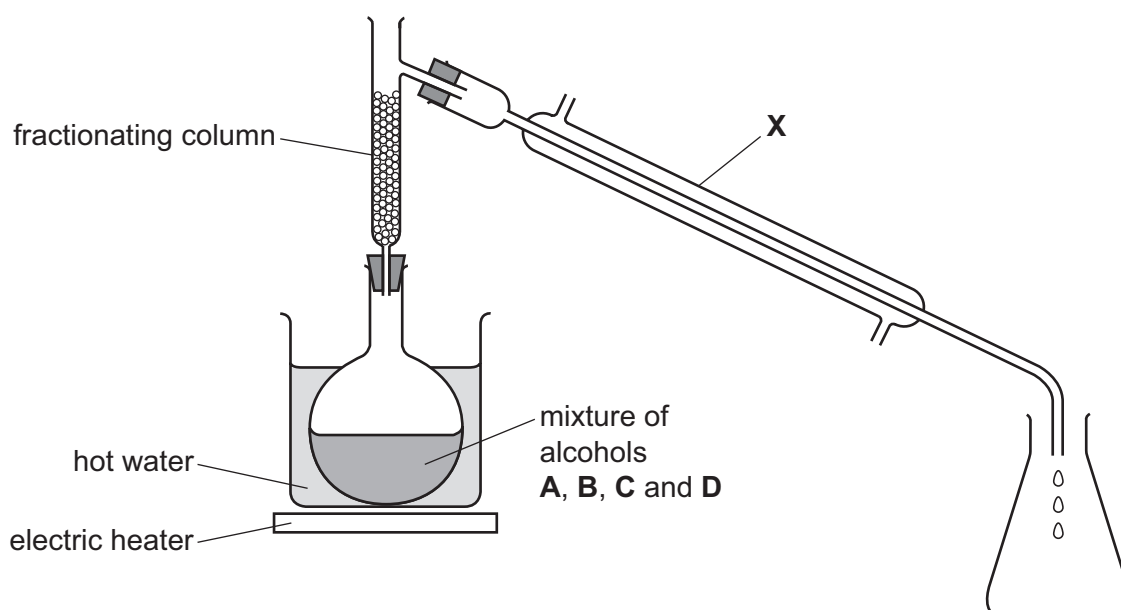
3

[4]

The boiling points of four different alcohols, **A**, **B**, **C** and **D**, are shown.

alcohol	A	B	C	D
boiling point/°C	56	78	122	160

(c) A student suggested that the apparatus shown could be used to separate the mixture of alcohols.



(i) Apparatus **X** needs to have cold water flowing through it.

- Draw an arrow on the diagram to show where the cold water enters apparatus **X**.
- Name apparatus **X**.

..... [2]

(ii) Part of the fractionating column is missing. This means that the experiment will not work.

- Draw on the diagram the part of the fractionating column which is missing.
- Explain why the experiment will **not** work with this part of the fractionating column missing.

..... [2]

(iii) Suggest why a Bunsen burner is **not** used to heat the flask.

..... [1]

(iv) A hot water bath cannot be used to separate alcohols **C** and **D**.

Explain why.

..... [2]

[Total: 13]

2 Flerovium, Fl, atomic number 114, was first made in research laboratories in 1998.

(a) Flerovium was made by bombarding atoms of plutonium, Pu, atomic number 94, with atoms of element Z.

- The nucleus of **one** atom of plutonium combined with the nucleus of **one** atom of element Z.
- This formed the nucleus of **one** atom of flerovium.

Suggest the identity of element Z.

..... [1]

(b) In which period of the Periodic Table is flerovium?

..... [1]

(c) Predict the number of outer shell electrons in an atom of flerovium.

..... [1]

(d) Two isotopes of flerovium are ^{286}Fl and ^{289}Fl . The nuclei of both of these isotopes are unstable and emit energy when they split up.

(i) State the term used to describe isotopes with unstable nuclei.

..... [1]

(ii) Complete the table to show the number of protons, neutrons and electrons in the atoms of the isotopes shown.

isotope	number of protons	number of neutrons	number of electrons
^{286}Fl			
^{289}Fl			

[2]

(e) Only a relatively small number of atoms of flerovium have been made in the laboratory and the properties of flerovium have not yet been investigated.

It has been suggested that flerovium is a typical metal.

(i) Suggest **two** physical properties of flerovium.

1

2

[2]

(ii) Suggest **one** chemical property of flerovium oxide.

..... [1]

[Total: 9]

3 This question is about iron.

(a) Three of the raw materials added to a blast furnace used to extract iron from hematite are coke, hematite and limestone.

Name **one** other raw material added to the blast furnace.

..... [1]

(b) A series of reactions occurs in a blast furnace during the extraction of iron from hematite.

Describe these reactions.

Include:

- **one** chemical equation for the reduction of hematite
- **one** chemical equation for the formation of slag.

.....
.....
.....
.....
.....
.....
.....
.....
.....
..... [5]

(c) The iron extracted from hematite using a blast furnace is impure.

Identify the main impurity in this iron and explain how it is removed in the steel-making process.

main impurity

how it is removed

.....
..... [3]

[Total: 9]

4 This question is about masses, volumes and moles.

(a) Which term is defined by the following statement?

The average mass of naturally occurring atoms of an element on a scale where the ^{12}C atom has a mass of exactly 12 units.

..... [1]

(b) Butane, C_4H_{10} , has a relative **molecular** mass of 58.
Potassium fluoride, KF, has a relative **formula** mass of 58.

Explain why the term relative molecular mass can be used for butane but **cannot** be used for potassium fluoride.

.....
..... [2]

(c) A 0.095 g sample of gaseous element **Y** occupies 60.0 cm^3 at room temperature and pressure.

- Determine the number of moles of element **Y** in 60.0 cm^3 .

moles of element **Y** = mol

- Calculate the relative molecular mass of element **Y** and hence suggest the identity of element **Y**.

relative molecular mass =

identity of element **Y** =

[3]

(d) A 1.68g sample of phosphorus was burned and formed 3.87g of an oxide of phosphorus.

Calculate the empirical formula of this oxide of phosphorus.

empirical formula = [4]

(e) Another oxide of phosphorus has the empirical formula P_2O_3 .
One molecule of this oxide of phosphorus contains four atoms of phosphorus.

Calculate the mass of **one** mole of this oxide of phosphorus.

mass = g [2]

[Total: 12]

- 5 (a) The table gives some chemical properties of transition elements and their compounds, and of Group I elements and their compounds.

chemical property	transition elements	Group I elements
ability to act as catalysts	yes	no
exist as coloured compounds	yes	no

- (i) What is meant by the term *catalyst*?

.....

 [2]

- (ii) Give **one** other chemical property shown by transition elements which is **not** shown by Group I elements.

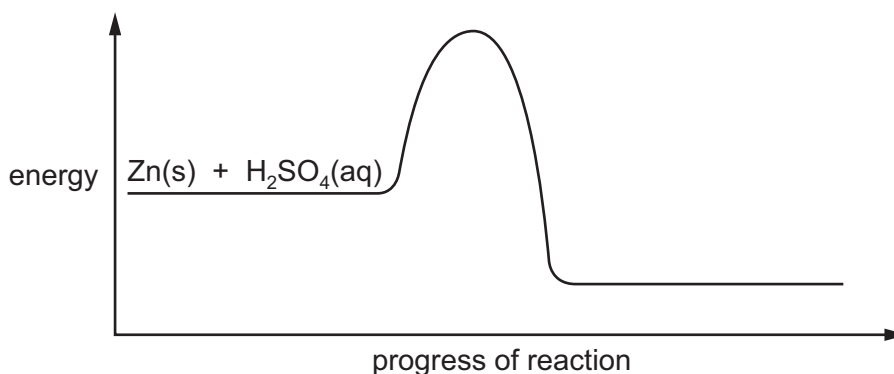
..... [1]

- (b) Give **two** physical properties shown by transition elements which are **not** shown by Group I elements.

1

2 [2]

- (c) The energy level diagram shows the energy profile for the reaction between zinc and dilute sulfuric acid.



- (i) Complete the diagram by adding the formulae of the products. Include state symbols. [3]

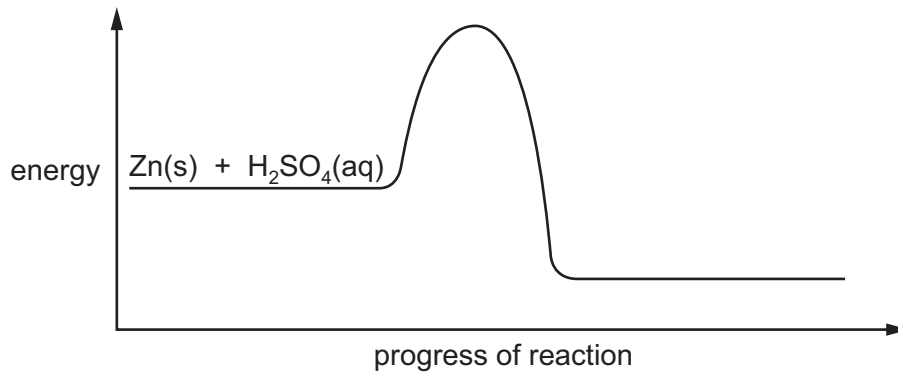
- (ii) Draw an arrow on the diagram to represent the activation energy. [1]

- (iii) Is the reaction endothermic or exothermic? Explain your answer.

.....
 [1]

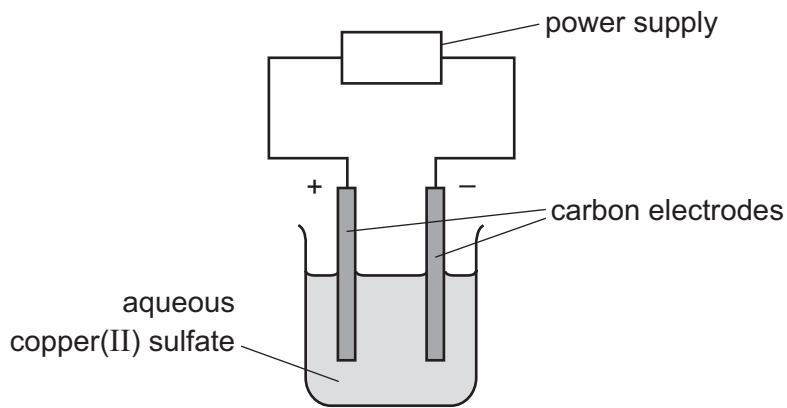
- (d) The reaction between zinc and dilute sulfuric acid can be catalysed by the addition of aqueous copper(II) sulfate.

On the diagram, add the energy profile for the catalysed reaction.



[1]

- (e) A student electrolyses aqueous copper(II) sulfate using the apparatus shown.



Oxygen gas forms at the positive electrode (anode).

- (i) Write an ionic half-equation for the reaction at the negative electrode (cathode). Include state symbols.

..... [3]

- (ii) Describe what the student observes at the negative electrode.

..... [1]

- (iii) Give **two other** observations which the student makes during the electrolysis.

1

2

[2]

- (iv) What difference would the student observe at the positive electrode if the aqueous copper(II) sulfate were replaced by concentrated aqueous copper(II) chloride?

..... [1]

[Total: 18]

6 The table shows the structures of four hydrocarbons.

P	Q	R	S
$\text{CH}_3\text{-CH}_3$	$\text{CH}_2=\text{CH}_2$	$\text{CH}_2=\text{CH-CH}_3$	$\text{CH}_2=\text{CH-CH}_2\text{-CH}_3$

(a) Why are compounds **P**, **Q**, **R** and **S** known as hydrocarbons?

.....
 [2]

(b) Compound **P** is saturated.

What is meant by the term *saturated*?

.....
 [1]

(c) Compound **P** undergoes a substitution reaction with chlorine.

(i) What is meant by the term *substitution reaction*?

.....
 [1]

(ii) State a condition required for this reaction to occur.

..... [1]

(iii) Write a chemical equation for this reaction.

..... [2]

(d) Compound **R** undergoes an addition reaction with bromine.

(i) Why is this reaction an addition reaction?

..... [1]

(ii) A compound containing bromine is formed in this reaction.

Draw the structure of this compound. Show all of the atoms and all of the bonds.

[1]

- (e) Draw the structure of an unbranched isomer of compound **S**. Show all of the atoms and all of the bonds. Name this unbranched isomer of compound **S**.

structure

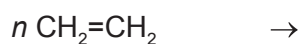
name [2]

- (f) Compound **Q** undergoes polymerisation.

- (i) Name the polymer formed.

..... [1]

- (ii) Complete the chemical equation to show the polymerisation of compound **Q**.



[2]

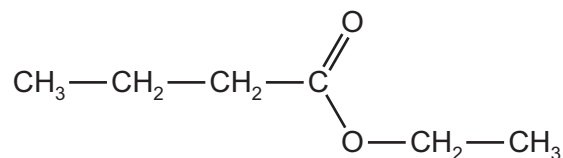
- (g) Amino acids undergo polymerisation to form proteins. Part of a protein molecule with the linkages missing is shown.

Draw the linkages on the diagram. Show all of the atoms and all of the bonds.



[2]

- (h) The structure shows an ester.



Write the word equation for a reaction which could be used to make this ester.

..... [3]

[Total: 19]

The Periodic Table of Elements

		Group															
I	II	III	IV	V	VI	VII	VIII					VIII					
1 H hydrogen 1											2 He helium 4						
Key atomic number atomic symbol name relative atomic mass																	
3 Li lithium 7	4 Be beryllium 9	5 B boron 11	6 C carbon 12	7 N nitrogen 14	8 O oxygen 16	9 F fluorine 19	10 Ne neon 20					18 Ar argon 40					
11 Na sodium 23	12 Mg magnesium 24	13 Al aluminium 27	14 Si silicon 28	15 P phosphorus 31	16 S sulfur 32	17 Cl chlorine 35.5					36 Kr krypton 84						
19 K potassium 39	20 Ca calcium 40	21 Sc scandium 45	22 Ti titanium 48	23 V vanadium 51	24 Cr chromium 52	25 Mn manganese 55	26 Fe iron 56	27 Co cobalt 59	28 Ni nickel 59	29 Cu copper 64	30 Zn zinc 65	31 Ga gallium 70	32 Ge germanium 73	33 As arsenic 75	34 Se selenium 79	35 Br bromine 80	36 Kr krypton 84
37 Rb rubidium 85	38 Sr strontium 88	39 Y yttrium 89	40 Zr zirconium 91	41 Nb niobium 93	42 Mo molybdenum 96	43 Tc technetium —	44 Ru ruthenium 101	45 Rh rhodium 103	46 Pd palladium 106	47 Ag silver 108	48 Cd cadmium 112	49 In indium 115	50 Sn tin 119	51 Sb antimony 122	52 Te tellurium 128	53 I iodine 127	54 Xe xenon 131
55 Cs caesium 133	56 Ba barium 137	57–71 lanthanoids	72 Hf hafnium 178	73 Ta tantalum 181	74 W tungsten 184	75 Re rhenium 186	76 Os osmium 190	77 Ir iridium 192	78 Pt platinum 195	79 Au gold 197	80 Hg mercury 201	81 Tl thallium 204	82 Pb lead 207	83 Bi bismuth 209	84 Po polonium —	85 At astatine —	86 Rn radon —
87 Fr francium —	88 Ra radium —	89–103 actinoids	104 Rf rutherfordium —	105 Db dubnium —	106 Sg seaborgium —	107 Bh bohrium —	108 Hs hassium —	109 Mt meitnerium —	110 Ds darmstadtium —	111 Rg roentgenium —	112 Cn copernicium —	114 Fl flerovium —	116 Lv livermorium —				

lanthanoids

actinoids

57 La lanthanum 139	58 Ce cerium 140	59 Pr praseodymium 141	60 Nd neodymium 144	61 Pm promethium —	62 Sm samarium 150	63 Eu europium 152	64 Gd gadolinium 157	65 Tb terbium 159	66 Dy dysprosium 163	67 Ho holmium 165	68 Er erbium 167	69 Tm thulium 169	70 Yb ytterbium 173	71 Lu lutetium 175
89 Ac actinium —	90 Th thorium 232	91 Pa protactinium 231	92 U uranium 238	93 Np neptunium —	94 Pu plutonium —	95 Am americium —	96 Cm curium —	97 Bk berkelium —	98 Cf californium —	99 Es einsteinium —	100 Fm fermium —	101 Md mendelevium —	102 No nobelium —	103 Lr lawrencium —

The volume of one mole of any gas is 24 dm³ at room temperature and pressure (r.t.p.).