



Cambridge O Level

PHYSICS

5054/12

Paper 1 Multiple Choice

May/June 2021

1 hour

You must answer on the multiple choice answer sheet.

You will need: Multiple choice answer sheet
Soft clean eraser
Soft pencil (type B or HB is recommended)

INSTRUCTIONS

- There are **forty** questions on this paper. Answer **all** questions.
- For each question there are four possible answers **A**, **B**, **C** and **D**. Choose the **one** you consider correct and record your choice in soft pencil on the multiple choice answer sheet.
- Follow the instructions on the multiple choice answer sheet.
- Write in soft pencil.
- Write your name, centre number and candidate number on the multiple choice answer sheet in the spaces provided unless this has been done for you.
- Do **not** use correction fluid.
- Do **not** write on any bar codes.
- You may use a calculator.

INFORMATION

- The total mark for this paper is 40.
- Each correct answer will score one mark.
- Any rough working should be done on this question paper.

This document has **16** pages. Any blank pages are indicated.

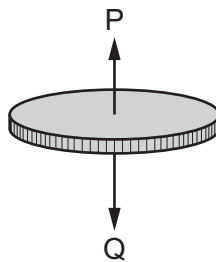


- 1 A student determines the circumference of a football.

Which instrument gives a reading that is the circumference of the football?

- A calipers
 - B micrometer
 - C rule
 - D tape
- 2 A coin falls from rest through the air and eventually reaches a constant speed.

There is a resultant force acting on the coin due to the two forces P and Q shown in the diagram.

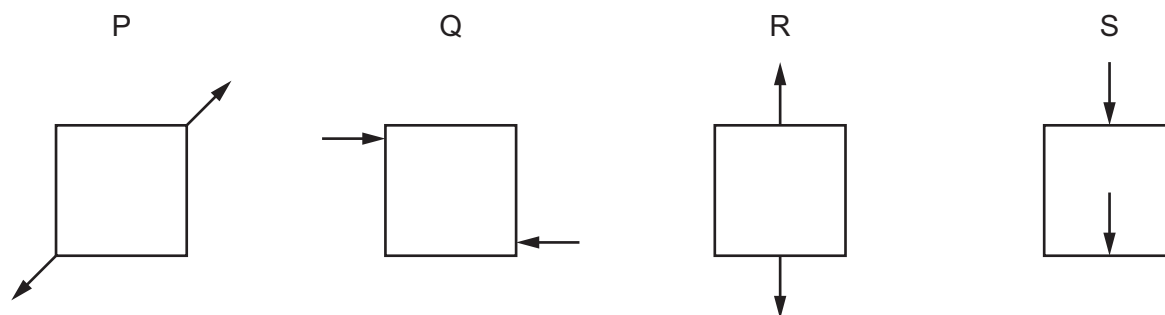


What happens to force P and what happens to the resultant force before the coin reaches constant speed?

	force P	resultant force
A	decreases	increases
B	decreases	decreases
C	increases	decreases
D	increases	increases

3 The diagrams show the forces acting on four identical solid blocks.

Each arrow represents a force of 20 N.



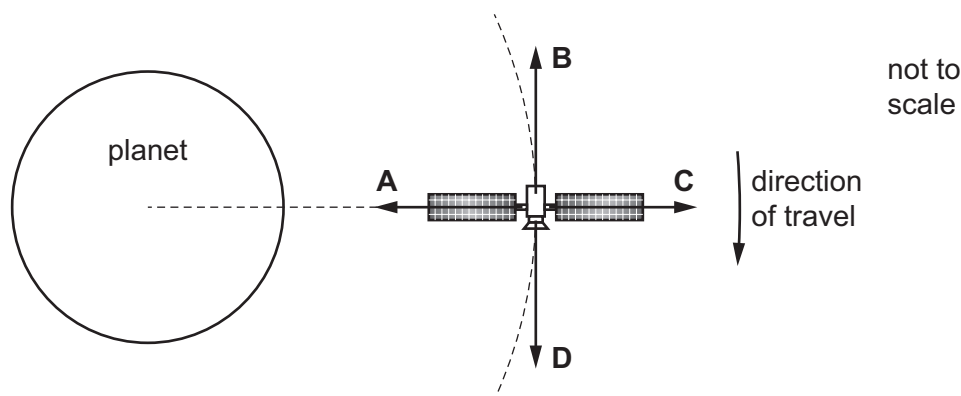
Which blocks are in equilibrium?

- A** P and R only
B Q and S only
C P, Q and R only
D P, Q, R and S
- 4 A student lists three changes that affect the stopping distance of a car.
- 1 increasing the braking force
 - 2 increasing the friction between the tyres and the road
 - 3 increasing the speed of the car

Which change or changes increase the stopping distance?

- A** 1 and 2 **B** 1 and 3 **C** 1 only **D** 3 only
- 5 The diagram shows a satellite orbiting a planet at a steady speed.

In which direction does the resultant force act on the satellite?



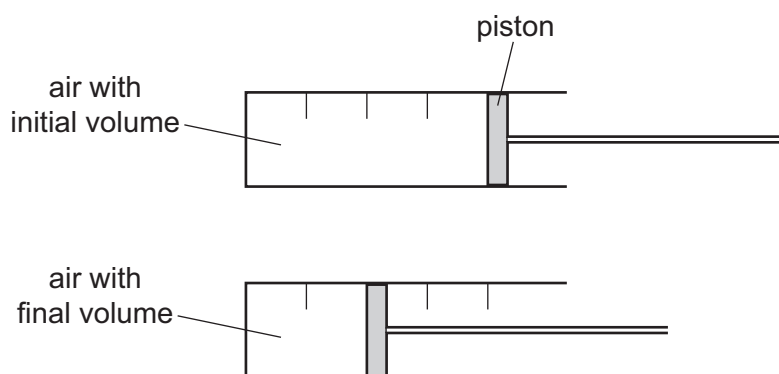
- 6 The gravitational field strength in space is smaller than on the Earth's surface.

A rocket is used to launch a satellite from the Earth's surface into space.

How are the mass and the weight of the satellite affected as the satellite moves away from the surface of the Earth and into space?

- A** Both the mass and the weight are unaffected.
B The mass decreases and the weight decreases.
C The mass increases and the weight is unaffected.
D The mass is unaffected and the weight decreases.
- 7 Air is trapped in a cylinder by a piston.

The piston is moved inwards so that the volume of the air reduces.



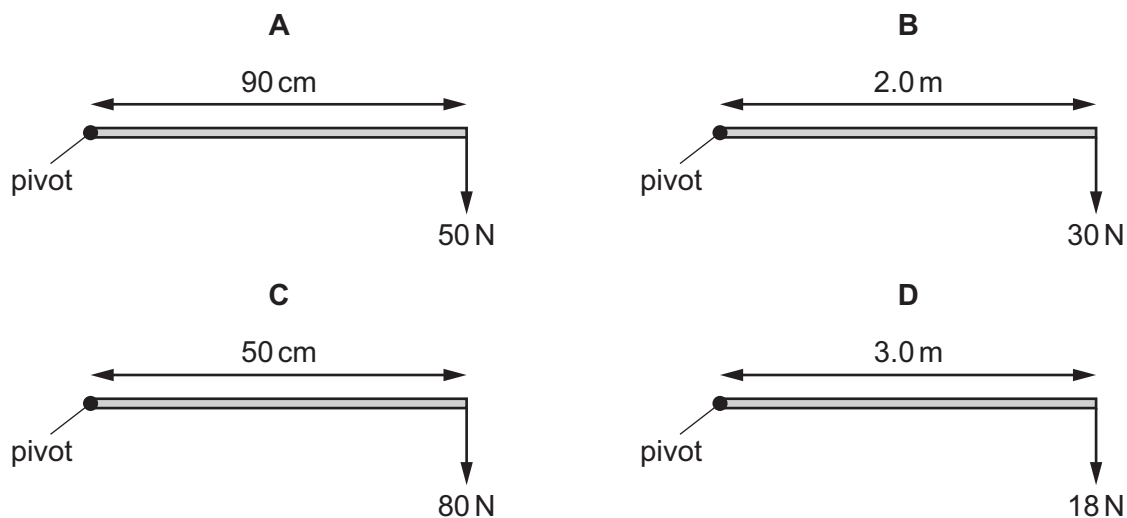
The density of the air in the syringe at the initial volume is 0.0012 g/cm^3 .

What is the density of the air in the syringe at the final volume?

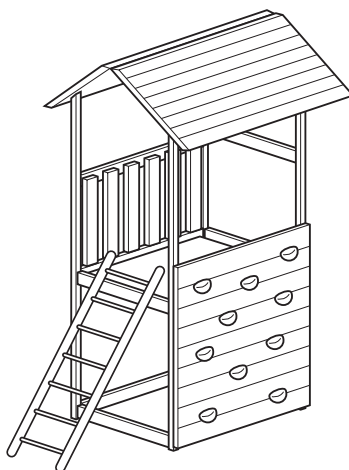
- A** 0.0006 g/cm^3
B 0.0012 g/cm^3
C 0.0024 g/cm^3
D 0.0048 g/cm^3

- 8 Some forces are applied at different distances from a pivot.

Which diagram shows the force that produces the largest moment about the pivot?



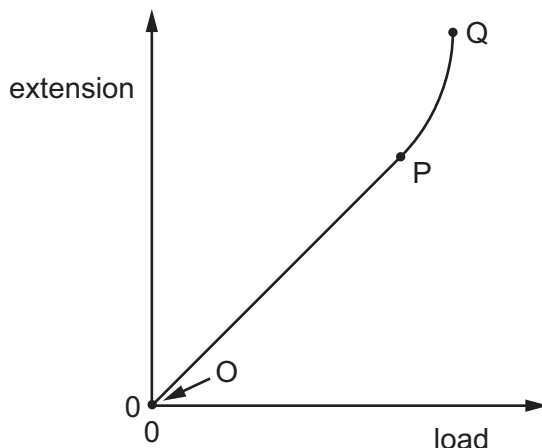
- 9 The diagram shows a children's wooden play tower.



Which change to the tower makes it more stable?

- A making the tower narrower
- B making the tower taller
- C lowering the centre of mass
- D raising the centre of mass

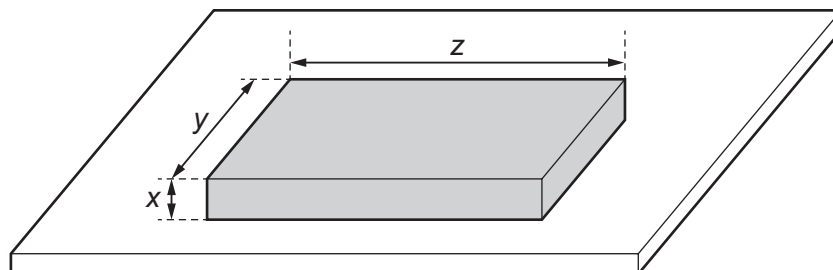
- 10 Where on the graph is the limit of proportionality for an elastic solid?



- A between O and P
 B at P
 C between P and Q
 D at Q
- 11 A weight of 2.0 N is hung from a spring. The extension produced is 6.0 cm. The 2.0 N weight is removed and an 8.0 N weight is hung from the spring. The spring does not pass its limit of proportionality.

What is the new extension of the spring?

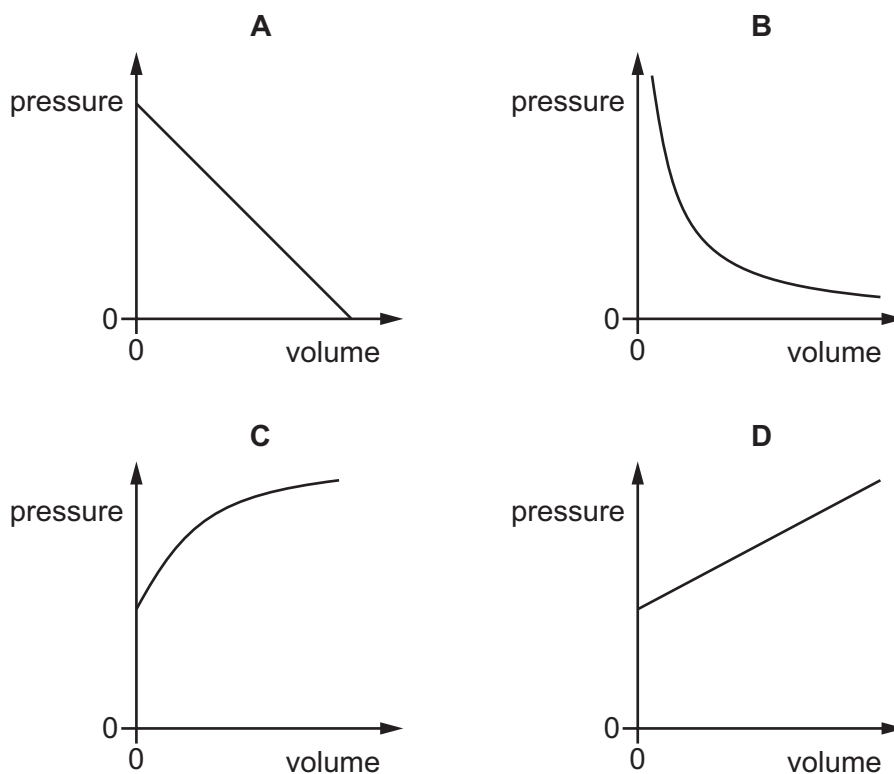
- A 6.0 cm B 24 cm C 36 cm D 48 cm
- 12 An object is placed at a depth d below the surface of a liquid of density ρ .
 On which expression does the pressure on the object depend?
- A $d + \rho$ B $d \times \rho$ C $d \div \rho$ D $\rho \div d$
- 13 The diagram shows the dimensions of a box of mass M and weight W at rest on a table.



What is the pressure on the table due to the box?

- A $\frac{M}{xyz}$ B $\frac{M}{yz}$ C $\frac{W}{xyz}$ D $\frac{W}{yz}$

- 14 Which graph shows the relationship between the pressure and the volume of a fixed mass of gas at constant temperature?



- 15 The work done by a force F on a body is calculated by multiplying F by a quantity q .

What is q ?

- A** the distance travelled in the direction of the force
B the distance travelled perpendicular to the direction of the force
C the velocity in the direction of the force
D the velocity in the direction perpendicular to the force
- 16 A girl lifts an object of mass 1.0 kg from the floor and puts it on a ledge 2.0 m above the floor.
How much potential energy is gained by the object?
[gravitational field strength $g = 10 \text{ N/kg}$]
- A** 2.0J **B** 5.0J **C** 10J **D** 20J

17 A copper rod is heated at one end.

Which statement describes how heat transfer occurs in the copper?

- A Energetic copper molecules move from the cooler end to the hotter end.
- B Energetic copper molecules move from the hotter end to the cooler end.
- C Energetic free electrons move from the cooler end to the hotter end.
- D Energetic free electrons move from the hotter end to the cooler end.

18 Which heat transfer processes do **not** require a medium?

- A conduction only
- B convection only
- C radiation only
- D conduction and radiation

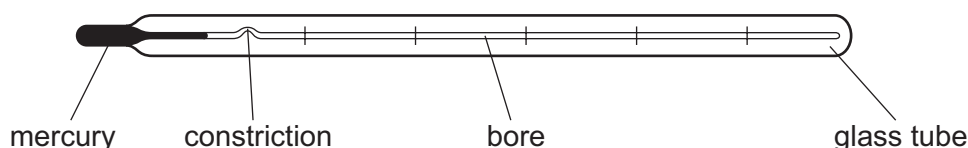
19 The list shows four physical properties.

mass resistance voltage volume

How many of these properties can be used to measure temperature?

- A 1 B 2 C 3 D 4

20 The diagram shows a clinical thermometer.



Which factor affects the sensitivity of the thermometer?

- A the constriction
- B the diameter of the bore
- C the length of the glass tube
- D the thickness of the glass tube

21 Which statement about the thermal expansion of solids, liquids and gases is correct?

- A Liquids do not expand.
- B Liquids expand more than gases but less than solids.
- C Liquids expand more than solids but less than gases.
- D Liquids expand the same amount as solids but less than gases.

22 Which row describes the shape of a liquid and the arrangement of its molecules?

	shape	arrangement of molecules
A	fixed	not regular
B	fixed	regular
C	takes shape of container	not regular
D	takes shape of container	regular

23 Air in a sealed container of fixed volume is heated.

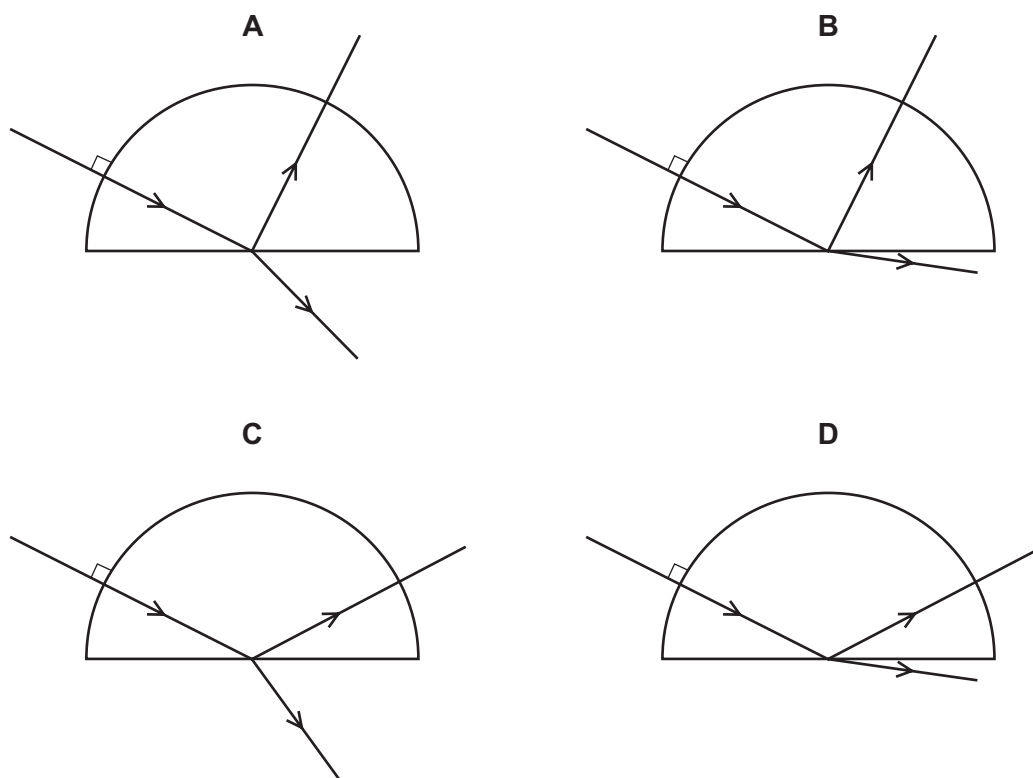
The pressure of the air increases.

How do the molecules of air cause this increase in pressure?

- A** The molecules expand and push on the container with a greater force.
- B** The molecules move at the same speed and hit the container with a greater force.
- C** The molecules move faster and hit the container more often.
- D** The molecules move further apart and hit the container more often.

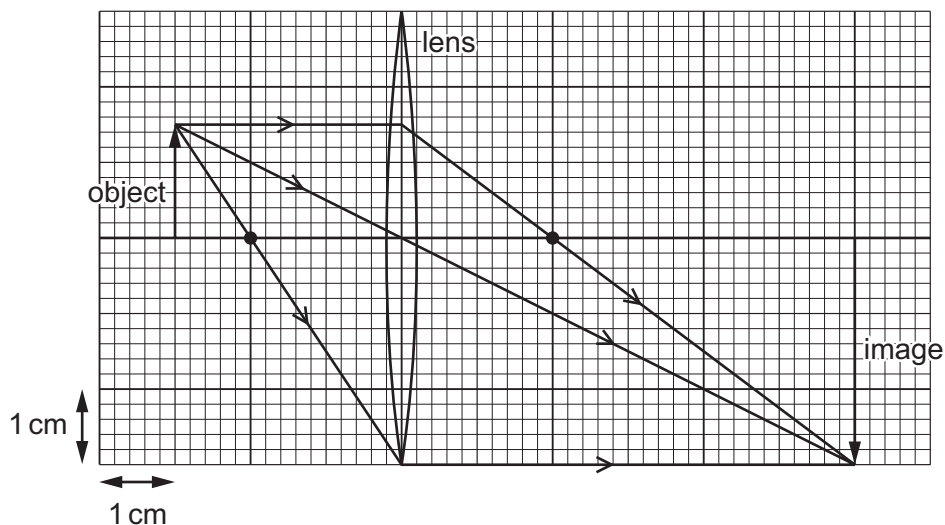
24 A ray of red light in air enters a semi-circular block.

Which diagram shows the partial reflection and the refraction of the ray?



- 25 An object of height 1.5 cm is placed in front of a converging lens of focal length 2.0 cm.

The arrangement is shown on the full-scale ray diagram.



What is the linear magnification produced by the lens?

- A** 2.0 **B** 3.0 **C** 4.0 **D** 6.0
- 26 In which optical instrument is the distance between the object and the lens less than the focal length of the lens?
- A** camera
B magnifying glass
C photographic enlarger
D projector
- 27 Which two waves are components of the electromagnetic spectrum?
- A** light and sound
B water waves and infrared
C ultrasound and ultraviolet
D X-rays and microwaves
- 28 The sound from a ship is reflected by a cliff. An echo is heard by a sailor on the ship 4.0 s after the sound is made. The speed of sound in air is 320 m/s.
- How far from the cliff is the ship?
- A** 160 m **B** 640 m **C** 1280 m **D** 2560 m

29 Students are asked for the uses of ultrasound.

Three suggested uses for ultrasound are:

- P cleaning jewellery
- Q tanning on a sunbed
- R obtaining an image of an unborn baby.

Which suggestions are correct?

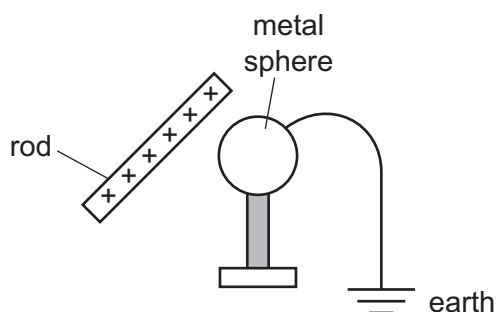
- A** P and Q only **B** P and R only **C** Q and R only **D** P, Q and R

30 End X of a metal rod attracts the North pole of a compass needle.

Which statement about the rod is correct?

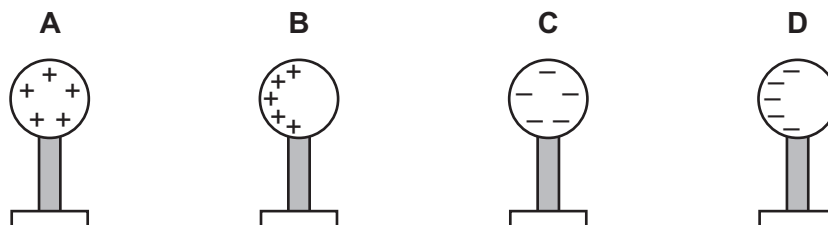
- A** It is made of copper that is not initially magnetised.
- B** It is made of copper with a South pole at X.
- C** It is made of steel that is not initially magnetised.
- D** It is made of steel with a North pole at X.

31 A positively charged rod is held close to an insulated metal sphere. The sphere is earthed as shown.

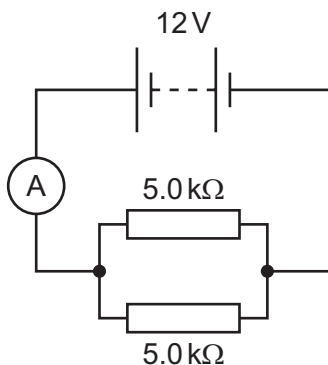


The earth connection is removed and then the rod is removed.

Which diagram shows the charges on the sphere after the rod is removed?



32 The diagram shows a circuit.



The ammeter has four different range settings.

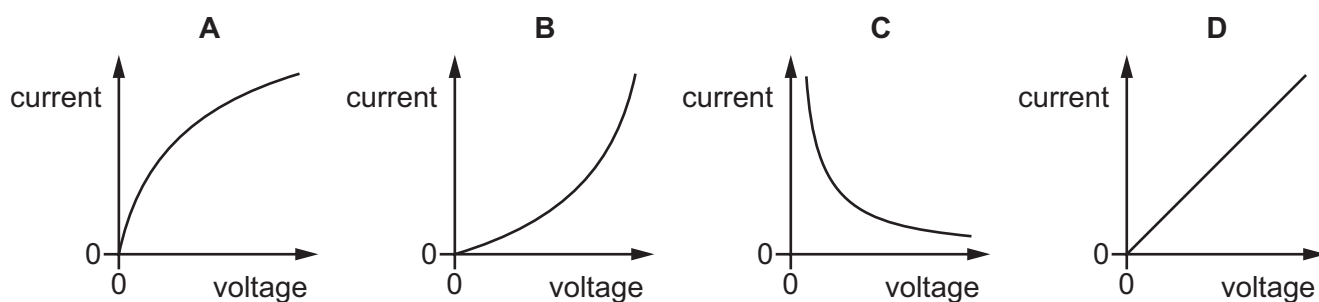
Which range setting gives a reading near the mid-point of the range?

- A** 0–1 mA **B** 0–10 mA **C** 0–1.0 A **D** 0–10 A

33 In which example is the current 1.0 A?

- A** a charge of 0.10 C passes through a resistor in 100 ms
B a 10 V lamp with input power 0.10 W
C a resistor of resistance $0.50\ \Omega$ with a potential difference (p.d.) of 2.0 V across it
D two resistors with a current of 0.50 A connected in series

34 Which graph shows the relationship between current and voltage for a filament lamp?



35 A 100 W lamp is switched on for five hours each day for three weeks.

The cost of one unit of electricity is \$0.24.

How much does it cost to run the lamp for this time?

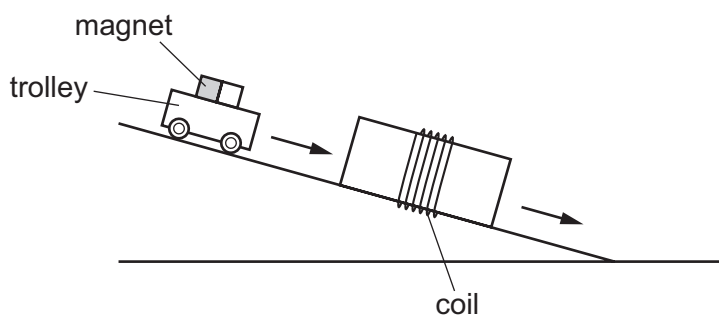
- A** \$0.36 **B** \$0.84 **C** \$2.52 **D** \$25.20

36 A three-pin mains plug contains a fuse. A device with double insulation has a cable connected to the plug.

Which part of the plug is **not** connected to the cable?

- A** earth pin
- B** fuse
- C** live pin
- D** neutral pin

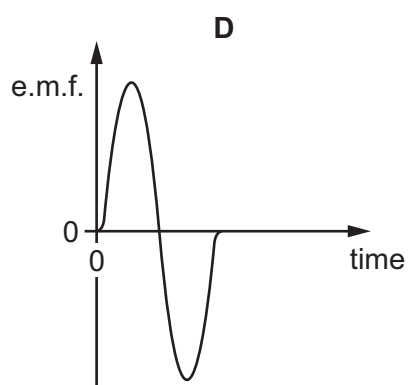
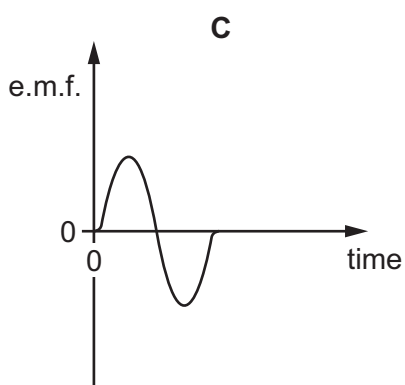
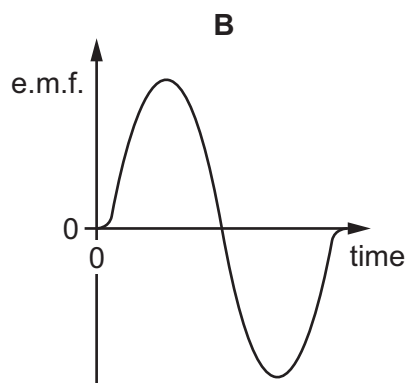
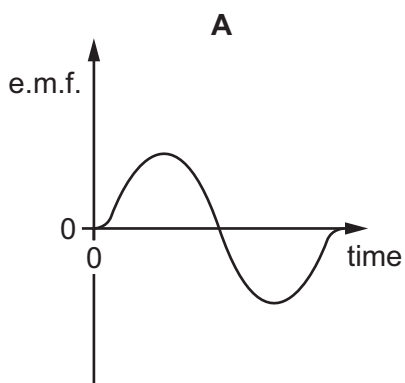
- 37 A trolley carrying a strong magnet rolls down a ramp at constant speed. It passes through a coil as shown.



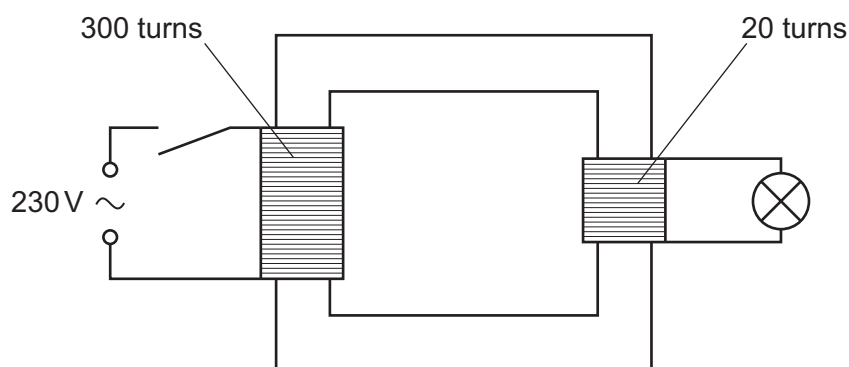
An electromotive force (e.m.f.) is induced in the coil. A graph of the e.m.f. against time is plotted.

The experiment is repeated with different coils and with a steeper ramp. The trolley moves at a greater constant speed on the steeper ramp.

Which graph is produced using the coil with the least number of turns and the steepest ramp? All graphs are drawn to the same scale.



- 38 A student uses a transformer to light a filament lamp using a 230 V a.c. supply. The lamp has a maximum voltage rating of 6.0 V.



What happens when the circuit is switched on?

- A The lamp does not light at all.
 - B The lamp lights at normal brightness.
 - C The lamp lights dimly.
 - D The lamp lights up brightly and then goes out.
- 39 What does an alpha-particle consist of?
- A two electrons and four neutrons only
 - B two protons and two neutrons only
 - C two protons and four neutrons only
 - D two protons, two electrons and two neutrons
- 40 The count rate from a radioactive source falls from 4000 counts per minute to 500 counts per minute in 72 minutes.

What is the half-life of the source?

- A 8 minutes
- B 9 minutes
- C 18 minutes
- D 24 minutes

BLANK PAGE

Permission to reproduce items where third-party owned material protected by copyright is included has been sought and cleared where possible. Every reasonable effort has been made by the publisher (UCLES) to trace copyright holders, but if any items requiring clearance have unwittingly been included, the publisher will be pleased to make amends at the earliest possible opportunity.

To avoid the issue of disclosure of answer-related information to candidates, all copyright acknowledgements are reproduced online in the Cambridge Assessment International Education Copyright Acknowledgements Booklet. This is produced for each series of examinations and is freely available to download at www.cambridgeinternational.org after the live examination series.

Cambridge Assessment International Education is part of the Cambridge Assessment Group. Cambridge Assessment is the brand name of the University of Cambridge Local Examinations Syndicate (UCLES), which itself is a department of the University of Cambridge.