



Cambridge International Examinations
Cambridge Ordinary Level

CANDIDATE
NAME

CENTRE
NUMBER

--	--	--	--	--	--

CANDIDATE
NUMBER

--	--	--	--

PHYSICS

5054/31

Paper 3 Practical Test

October/November 2016

2 hours

Candidates answer on the Question Paper.

Additional Materials: As listed in the Confidential Instructions.

READ THESE INSTRUCTIONS FIRST

Write your Centre number, candidate number and name on all the work you hand in.

Write in dark blue or black pen.

You may use an HB pencil for any diagrams or graphs.

Do not use staples, paper clips, glue or correction fluid.

DO NOT WRITE IN ANY BARCODES.

Answer **all** questions.

For each of the questions in Section A, you will be allowed to work with the apparatus for a maximum of 20 minutes. For the question in Section B, you will be allowed to work with the apparatus for a maximum of 1 hour.

You are expected to record all your observations as soon as these observations are made.

An account of the method of carrying out the experiments is **not** required.

Electronic calculators may be used.

You may lose marks if you do not show your working or if you do not use appropriate units.

At the end of the examination, fasten all your work securely together.

The number of marks is given in brackets [] at the end of each question or part question.

For Examiner's Use	
1	
2	
3	
4	
Total	

This document consists of **11** printed pages and **1** blank page.

Answer **all** the questions in this section.

Section A

1 In this experiment, you will determine a value for the density of a piece of modelling clay.

You are provided with

- a 30cm ruler,
- a spring,
- a stand, boss and clamp to support the spring,
- a piece of modelling clay attached to a length of string with a loop at the top of the string,
- an S-hook,
- a glass beaker,
- a supply of water,
- paper towels or cloths to mop up spillages.

(a) Set up the apparatus as shown in Fig. 1.1.

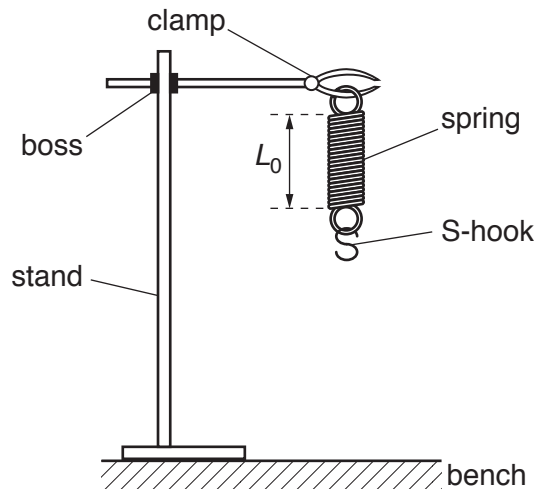


Fig. 1.1

Suspend the S-hook from the lower end of the spring.

(i) Measure the length L_0 of the coiled part of the spring.

$L_0 = \dots\dots\dots$ [1]

(ii) Suspend the modelling clay from the hook using the loop. The modelling clay should not touch the bench. Measure the new length L_1 of the coiled part of the spring.

$L_1 = \dots\dots\dots$

(iii) Calculate the extension e_1 of the spring using $e_1 = L_1 - L_0$.

$e_1 = \dots\dots\dots$ [1]

- (b) Place the empty beaker below the suspended modelling clay.
 Lower the clamp until the modelling clay is in the beaker and the string becomes completely slack (no tension).
 Pour water into the beaker until the modelling clay is fully immersed and is covered by about 1 cm of water. If the clay starts to float, then lower the clamp further.
 Raise the clamp slowly until the modelling clay rises from the bottom of the beaker but is still fully immersed.
 Ensure that the modelling clay does not touch the sides of the beaker.

- (i) Measure the new length L_2 of the coiled part of the spring.

$$L_2 = \dots\dots\dots$$

- (ii) Calculate the new extension e_2 using $e_2 = L_2 - L_0$.

$$e_2 = \dots\dots\dots [1]$$

- (c) Calculate the density ρ of the modelling clay using

$$\rho = \frac{e_1}{e_1 - e_2} \times 1.0 \text{ g/cm}^3.$$

$$\rho = \dots\dots\dots [2]$$

2 In this experiment, you will investigate the oscillations of a half-metre rule.

You are provided with

- a half-metre rule,
- two lengths of thread with loops at one end,
- two split corks,
- two stands, bosses and clamps to support the split corks,
- a 30 cm ruler,
- an optical pin in a cork,
- a stopwatch,
- a set square.

(a) The Supervisor has assembled the apparatus.

Do not adjust the position of the bosses and clamps on the stands.

Move the loops of thread so that they are at the 10.0 cm and 40.0 cm marks on the half-metre rule.

Adjust the separation of the stands so that the two lengths of thread are vertical, as shown in Fig. 2.1.

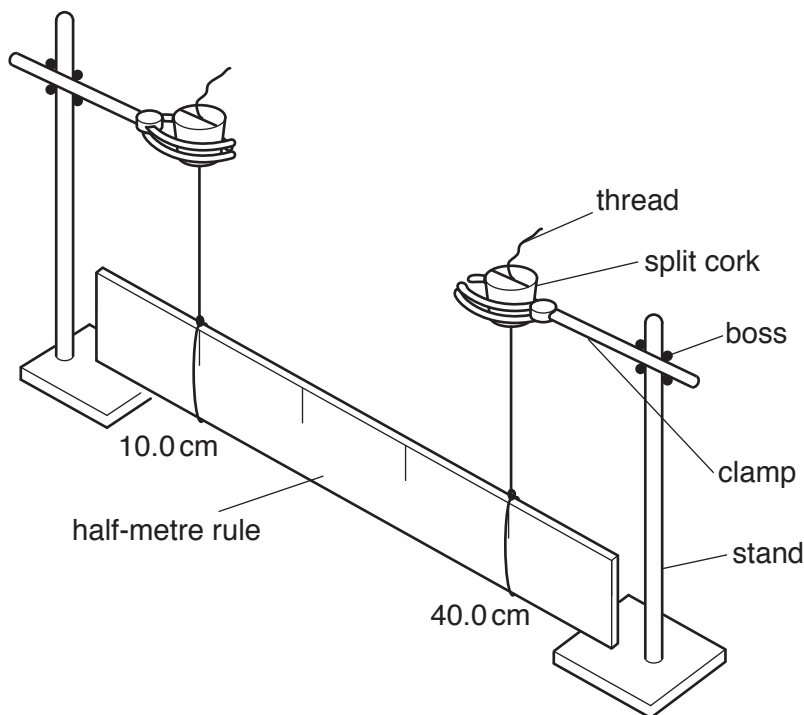


Fig. 2.1

(i) Explain how you ensured that the two lengths of thread were vertical. You may draw on Fig. 2.1 if you wish.

.....

.....

.....

.....[1]

(ii) Explain how to check that the half-metre rule is horizontal.

.....

[1]

(b) Fig. 2.2 shows the rule oscillating about a central axis.

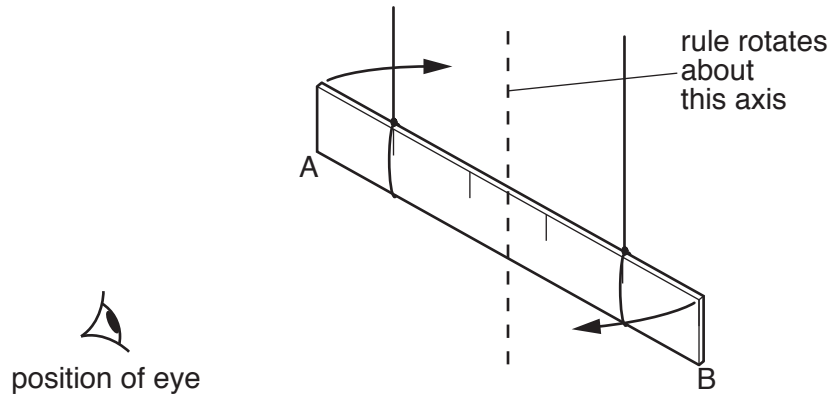


Fig. 2.2

To make the rule oscillate move end A a small distance away from you and end B the same distance towards you.

Release the rule.

(i) One complete oscillation occurs when end A moves from the position where it is closest to you to the position where it is furthest away and then back again to the closest position.

The time for 10 complete oscillations is t .

Take measurements to determine an accurate value of t .

$t =$

(ii) Calculate the time T for one complete oscillation. Give your answer to a suitable number of significant figures.

$T =$ [3]

3 In this experiment, you will investigate the resistance of a diode at two values of current.

You are provided with

- a power supply,
- a switch,
- a resistor labelled Y,
- a 10Ω resistor,
- a diode,
- an ammeter,
- a voltmeter,
- connecting leads.

The Supervisor has set up the incomplete circuit shown in Fig. 3.1.

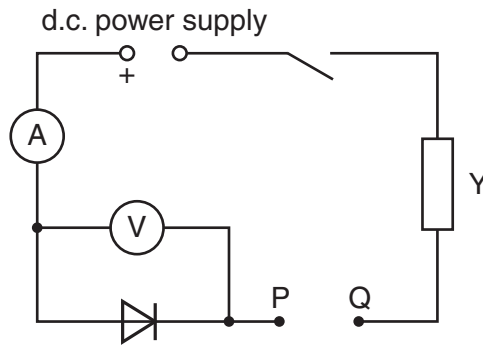


Fig. 3.1

(a) Connect the terminals P and Q together. Close the switch. Record the voltmeter reading V_1 , the ammeter reading I_1 , and then open the switch.

$V_1 = \dots\dots\dots$

$I_1 = \dots\dots\dots$

[1]

(b) Calculate the resistance R_1 of the diode using the equation

$$R_1 = \frac{V_1}{I_1}.$$

$R_1 = \dots\dots\dots$ [1]

- (c) Disconnect the terminals P and Q. Connect the 10Ω resistor between P and Q. Close the switch. Record the voltmeter reading V_2 , the ammeter reading I_2 , and then open the switch.

$$V_2 = \dots\dots\dots$$

$$I_2 = \dots\dots\dots$$

[1]

- (d) Calculate the new resistance R_2 of the diode using the equation

$$R_2 = \frac{V_2}{I_2}.$$

$$R_2 = \dots\dots\dots [1]$$

- (e) By changing the resistance between P and Q, the current in the circuit changes. State how this change in current affects the voltage across the diode and the resistance of the diode.

.....
.....
..... [1]

Section B

4 In this experiment, you will determine the focal length of a converging lens.

You are provided with

- a converging lens,
- an illuminated cross-wire object,
- a lens holder,
- a light source,
- a screen,
- a metre rule,
- a set square.

(a) Set up the apparatus as shown in Fig. 4.1.

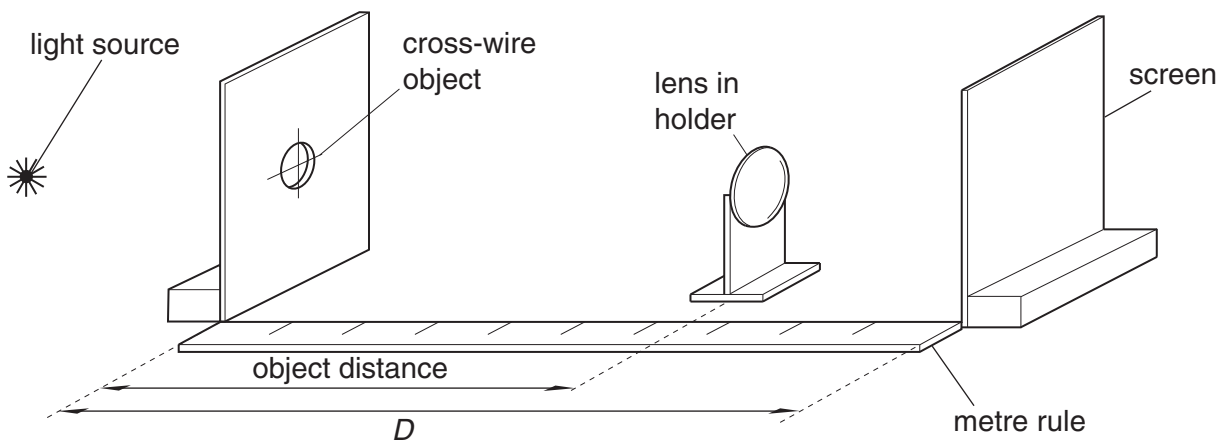


Fig. 4.1

The cross-wire object is at the 0.0cm end of the rule and the screen is at the 100.0cm end.

(i) By only changing the position of the lens obtain an image on the screen that is **smaller** than the object. Describe the technique that you use to obtain an image that is in sharp focus.

.....

.....

.....[1]

(ii) Determine an accurate value for the distance u_S between the object and the lens when the image is **smaller** than the object and is in sharp focus on the screen.

$u_S = \dots\dots\dots$ [2]

- (b) By only changing the position of the lens obtain an image on the screen that is **larger** than the object.
- (i) Determine the new value for the object distance u_L when the image is **larger** than the object and in sharp focus on the screen.

$$u_L = \dots\dots\dots$$

- (ii) In order to change from an image that is smaller than the object to an image that is larger than the object the lens has been moved a distance d .

1. Calculate d using $d = u_S - u_L$.

$$d = \dots\dots\dots$$

2. Calculate y using $y = D^2 - d^2$,
where D is the distance between the object and the screen.

$$y = \dots\dots\dots$$

[2]

- (c) Repeat (a)(ii) and (b) using different values of D in the range $60\text{cm} \leq D \leq 100\text{cm}$. The object should remain at the 0.0cm mark on the rule and the position of the screen should be changed to give different values of D . Record your results for D , u_S , u_L , d and y in the table of Fig. 4.2. Include headings in your table and your initial results from (a)(ii) and (b).

Fig. 4.2

[4]

- (d) Using the grid opposite, plot a graph of y/cm^2 (y -axis) against D/cm (x -axis). Draw the straight line of best fit. [4]

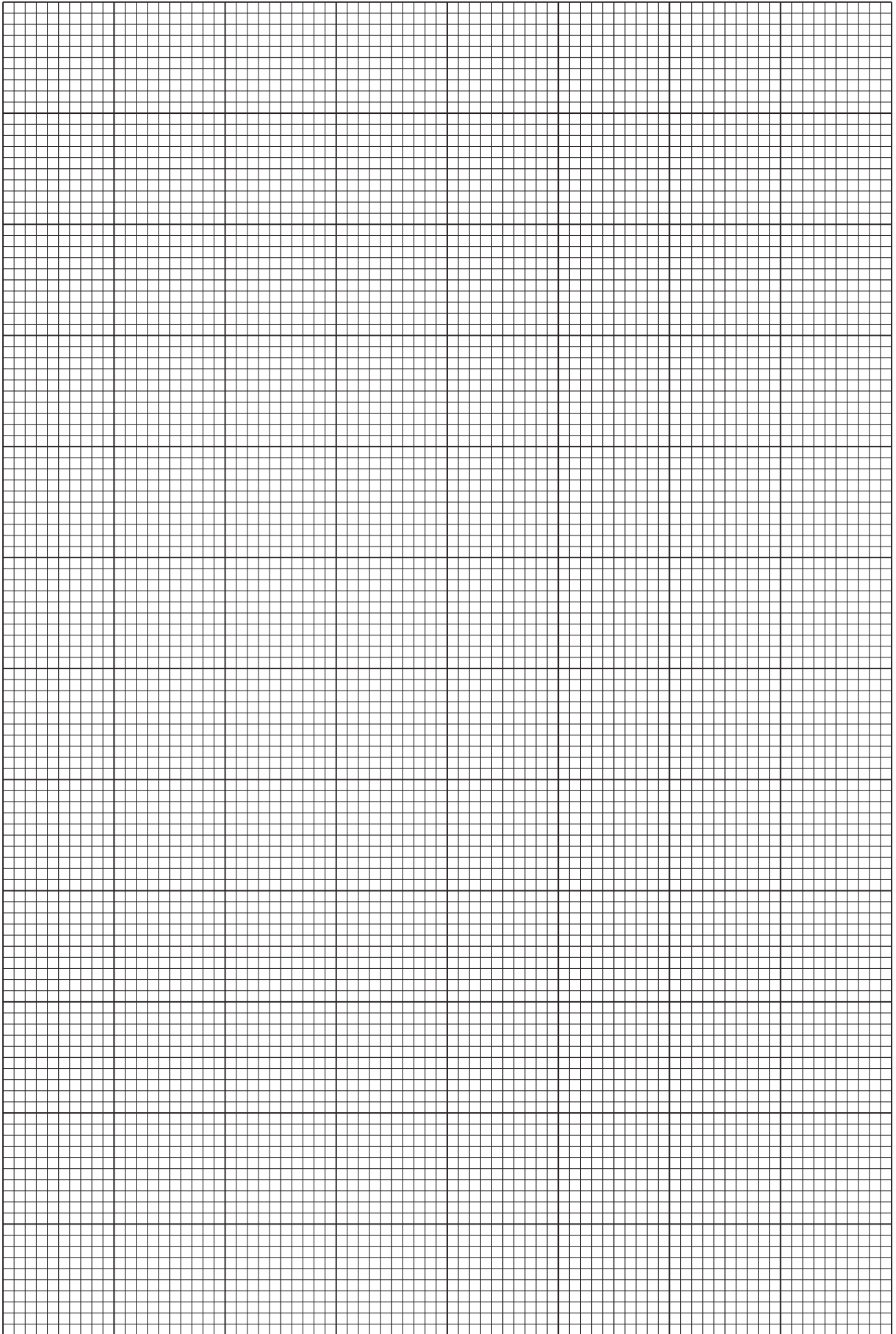
- (e) (i) Determine the gradient G of your graph.

$$G = \dots\dots\dots$$

- (ii) Calculate the numerical value f of the focal length of your lens using $f = \frac{G}{4}$.

$$f = \dots\dots\dots$$

[2]



BLANK PAGE

Permission to reproduce items where third-party owned material protected by copyright is included has been sought and cleared where possible. Every reasonable effort has been made by the publisher (UCLES) to trace copyright holders, but if any items requiring clearance have unwittingly been included, the publisher will be pleased to make amends at the earliest possible opportunity.

To avoid the issue of disclosure of answer-related information to candidates, all copyright acknowledgements are reproduced online in the Cambridge International Examinations Copyright Acknowledgements Booklet. This is produced for each series of examinations and is freely available to download at www.cie.org.uk after the live examination series.

Cambridge International Examinations is part of the Cambridge Assessment Group. Cambridge Assessment is the brand name of University of Cambridge Local Examinations Syndicate (UCLES), which is itself a department of the University of Cambridge.